

**PG-12V140-FR**  
**12 Volt 144 A.H.**



UPS / TELECOM BATTERY

**FEATURES**

**Long Service Life**

Thick plate design and efficient gas recombination yield a service life expectancy of 10 years in standby mode.

**Low Internal Resistance**

Superb high-rate discharge characteristics ensure reliable performance in UPS and Telecom applications.

**Maintenance-Free, Non-Spillable**

Proven VRLA technology guarantees safe operation without maintenance and 'non-restricted article' status for transportation.

**Low Self-Discharge**

Lead-calcium alloy grids and use of high purity lead account for superior shelf-life characteristics permitting storage for extended periods of time.

**Designed-In Reliability**

Cutting-edge manufacturing and process control combined with meticulous quality assurance procedures guarantee consistent and dependable performance.

**PRODUCT**



CE  **ISO9001**  
 MH20845

**SPECIFICATIONS**

<b>Nominal Voltage</b>	12 Volt (6 cells)
<b>Nominal Capacity</b>	
20-hr. rate ( 7.7A to 10.8V)	154.0AH
10-hr. rate ( 14.4A to 10.8V)	144.0AH
8-hr. rate ( 17.0A to 10.5V)	136.0AH
5-hr. rate ( 24.1A to 10.5V)	120.4AH
3-hr. rate ( 36.4A to 10.5V)	109.2AH
1-hr. rate ( 84.0A to 9.6V)	84.0AH
<b>Approximate Weight</b>	98.4 lbs. (44.6 kg)
<b>Energy Density ( 10-hr. rate)</b>	1.71 W-hrs/in <sup>3</sup> (104.2 W-hrs/l)
<b>Specific Energy ( 10-hr. rate)</b>	17.6 W-hrs/lb (38.7 W-hrs/kg)
<b>Internal Resistance</b>	3.0 milliohms
<b>30-sec. Discharge Current to 1.60V/cell</b>	840 A
<b>Terminals</b>	threaded insert w. 6 mm stud fastener
<b>Shelf Life — ( % of nominal capacity at 68° F (20° C) )</b>	
1 Month	97%
3 Months	91%
6 Months	83%
<b>Operating Temperature Range</b>	
Charge	-4°F (-20°C) to 122°F (50°C)
Discharge	-4°F (-20°C) to 140°F (60°C)
<b>Case Material</b>	ABS plastic (UL94 V-O flame retardant)

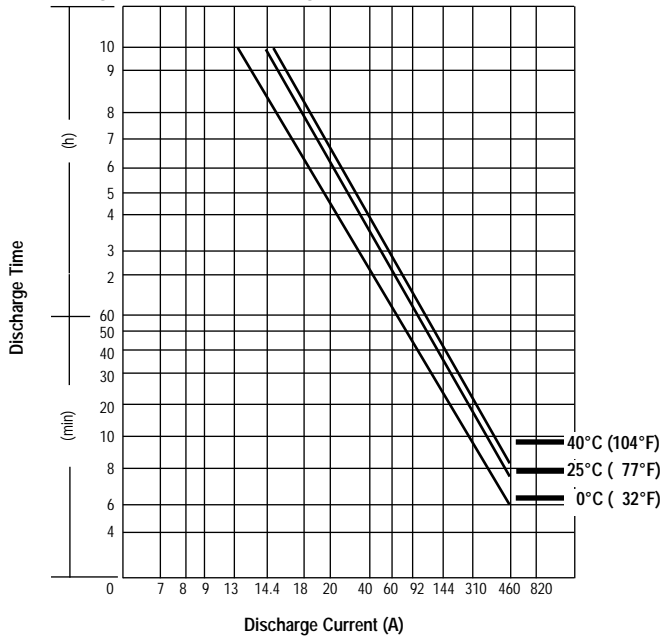
To ensure safe and efficient operation always refer to the latest edition of our Technical Manual, as published on our website.

CONSTANT CURRENT & POWER DISCHARGE RATINGS

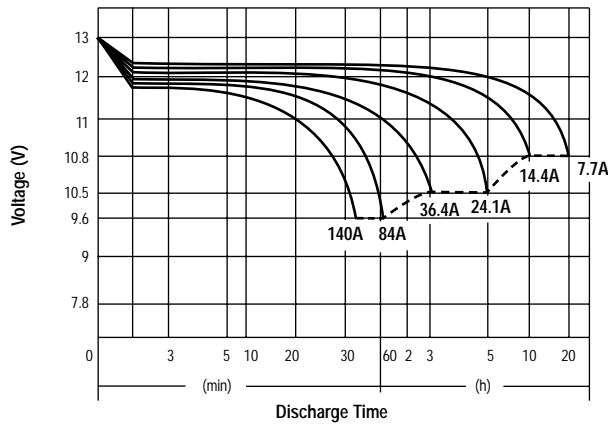
Model	Final	AMPS/WATTS PER CELL @ 25°C													
		5 min		10 min		15 min		20 min		30 min		45 min		60 min	
		A	W	A	W	A	W	A	W	A	W	A	W	A	W
12V140-FR	1.80V	270	604	231	490	200	410	177	342	144	286	104	208	84	165
	1.75V	309	628	252	532	219	435	195	378	154	303	113.5	214	84.9	167
	1.67V	354	654	289	568	252	478	213	385	163	306	113	218	84	168
	1.60V	440	675	319	625	260	486	214	396	161	309	112	223	85.7	170

PERFORMANCE CHARACTERISTICS

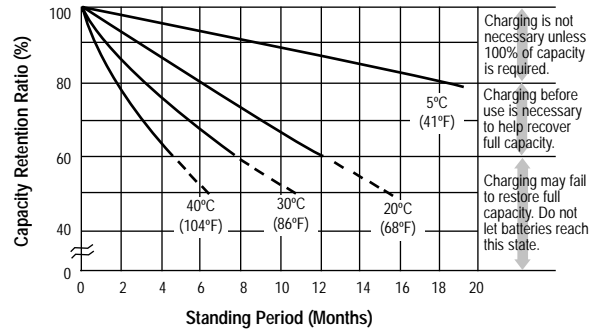
Discharge Time vs. Discharge Current



Discharge Characteristics



SELF-DISCHARGE & STORAGE

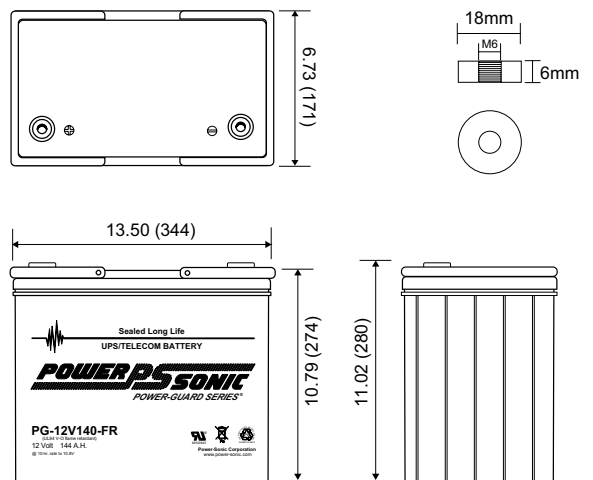


CHARGING

**Cycle Applications:** Limit initial current to 42A. Charge until battery voltage (under charge) reaches 14.40 to 14.70 volts at 68°F (20°C). Hold at 14.40 to 14.70 volts until current drops to approximately 1.4A.

**"Float" or "Stand-By" Service:** Hold battery across constant voltage source of 13.50 to 13.80 volts continuously.

PHYSICAL DIMENSIONS



**CORPORATE OFFICE**  
 7550 Panasonic Way  
 San Diego, CA 92154 USA  
 Tel: +1-619-661-2020 Fax: +1-619-661-3650  
 national-sales@power-sonic.com

**CUSTOMER SERVICE**  
 Tel: +1-619-661-2030  
 Fax: +1-619-661-3648  
 customer-service@power-sonic.com

**SALES / INTERNATIONAL**  
 Tel: +1-650-364-5001  
 Fax: +1-650-366-3662  
 battery@power-sonic.com  
 www.power-sonic.com