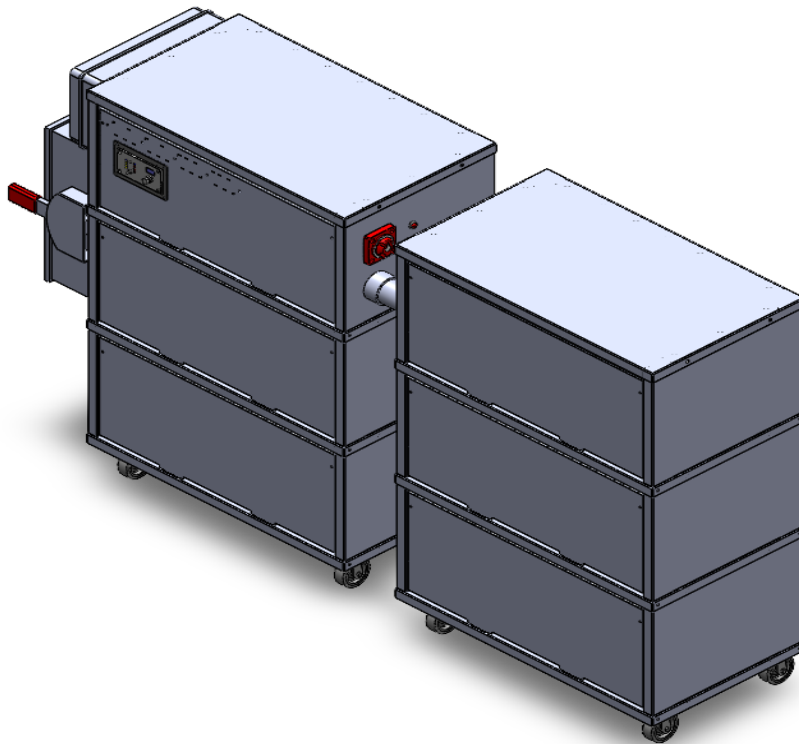


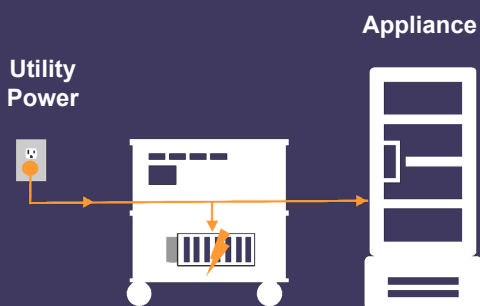
Hardwire - 3 Phase - Battery Backup Power System



HOW OUR SYSTEMS WORK:

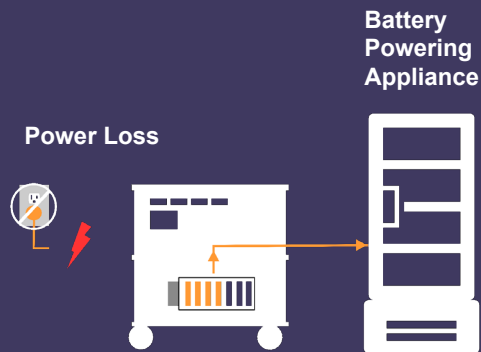
STANDBY MODE

Utility power charges the system and flows through to power the appliance.



POWER OUTAGE

When utility power is lost the system auto transfers to draw from the battery bank within a second



RECHARGE MODE

When utility power is restored the system auto transfers back to utility power.



Hardwire - 3 Phase - Battery Backup Power System

ELECTRICAL INFORMATION

Model Number	Wattage	KWH	Line Power	Load Power	Conductors	Battery Type
MHW90120V-3PH	9,000	14.4	208 Volts 30 Amps	208 Volts 30 Amps	3 Legs 1 Natural 1 Ground	AGM

SYSTEM SIZE

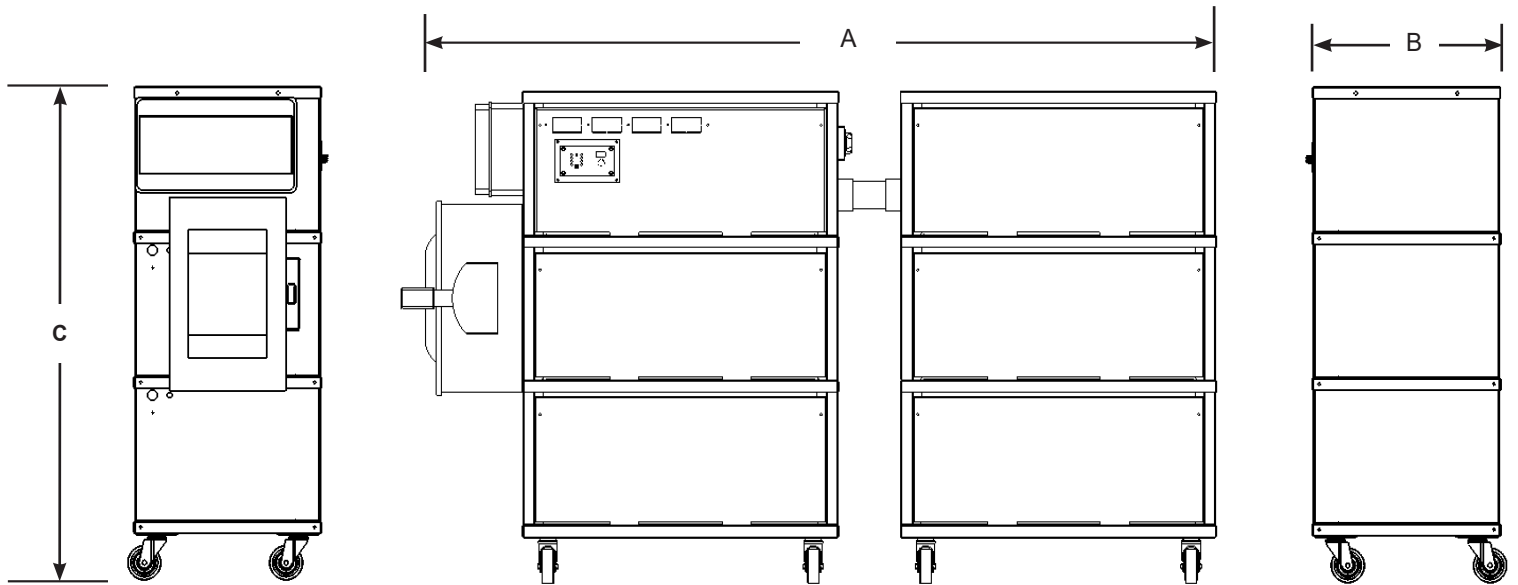
Model Number	Waveform	Width (A)	Depth (B)	Height (C)	Weight (lbs)	Cabinets
MHW90120V-3PH	Pure	63.00"	16.50"	42.25"	1215	2

Heat Output: Full Bulk Charge Mode: 8700 BTU per hr
 Inverting @ Full Rated Wattage: 13,500 BTU per hr
 Inverting @ 0 Watts: 510 BTU per hr

Note: Unit Onsite Special Certification Inspection - per customer request.

Warranty: 2 year System Warranty - 4 year Battery Warranty

UNIT DIMENSIONS



LEFT SIDE

FRONT

RIGHT SIDE